



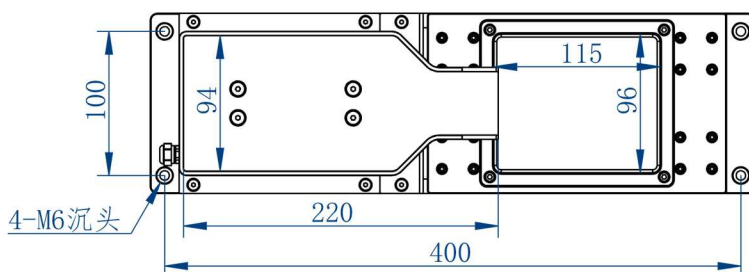
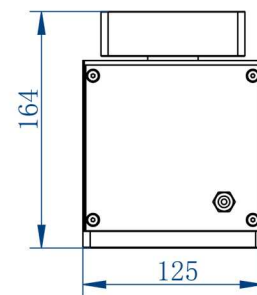
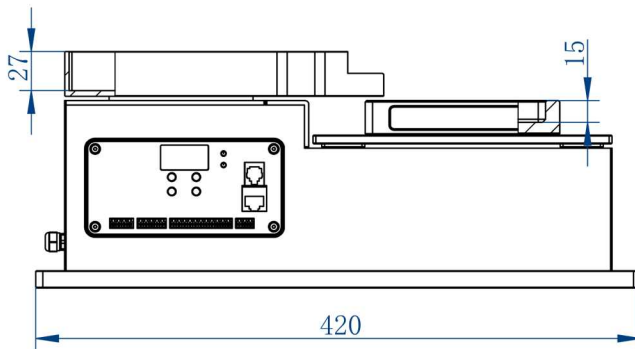
## iF Series Flexible Feeder

**Adapt to diverse feeding needs with ease, enhancing productivity manifold.**

iFeeding, we specialize in crafting Flexible Feeder products tailored to diverse industrial needs, ensuring smooth operational adaptation with robust performance and unique design. We extend our expertise to comprehensive flexible feeding system designs, delivering turnkey solutions that promise enduring performance, unmatched flexibility, and enhanced operational efficiency to our valued clients.

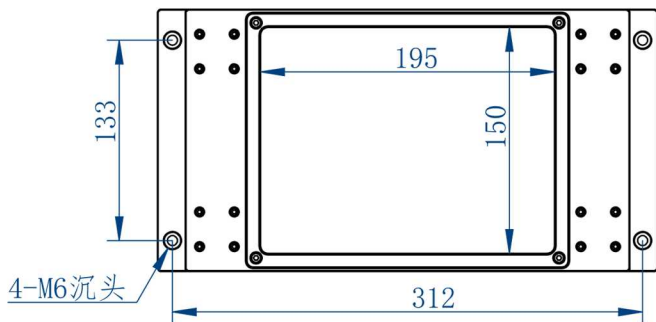
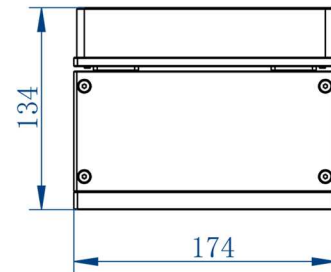
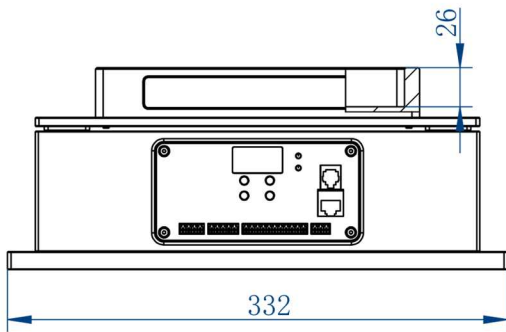
# iF-F150H

Base Size	420*125*164mm
Tray Size	115*96*15mm
Tray load	1kg
Applicable size	0.5~15mm
Hopper volume	2L
Hopper size	100*203*30mm
Move type	up, down, left, right, up-left, up-right, down-left, down-right, disperse, compact
Running Noise	<75dB
Backlight Color	White(standard), Other colors can be <i>customized</i> , and support infrared
Communication	Modus TCP, Modbus RTU
Waveform	square wave (vibrate strongly) , sine wave (Soft and smooth vibration)
Adaptive Products	such as <b>gemstones watch parts</b> , and <b>small medical or electronic components</b> .
Platform Option	material (POM) , We can customize to your material requirements
Power Supply	24V DC



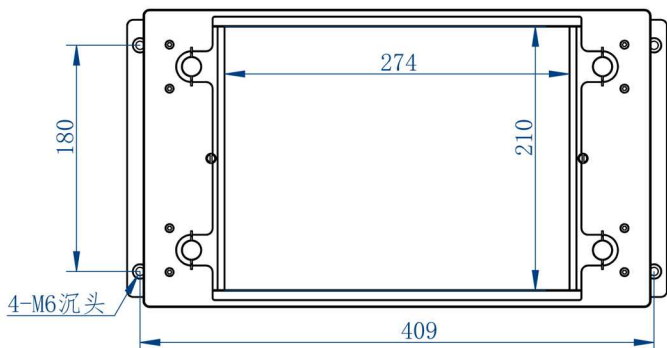
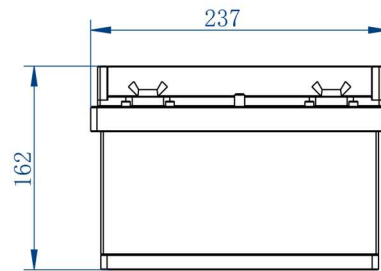
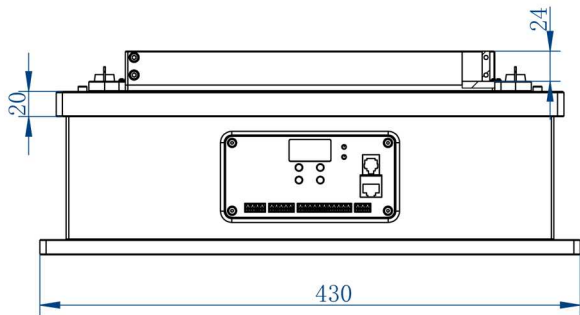
# iF-F240

Base Size	332*174*134mm
Tray Size	195*150*26mm
Tray load	1.5Kg
Applicable size	5~50mm
Move type	up, down, left, right, up-left, up-right, down-left, down-right, disperse, compact
Running Noise	<75dB
Backlight Color	White(standard), Other colors can be customized, and support infrared
Communication	Modbus TCP, Modbus RTU
Waveform	square wave (vibrate strongly), sine wave (Soft and smooth vibration)
Adaptive Products	such as electronic components, fuses, screws, fasteners, and washers.
Platform Option	material (POM), We can customize to your material requirements
Power Supply	24 VDC



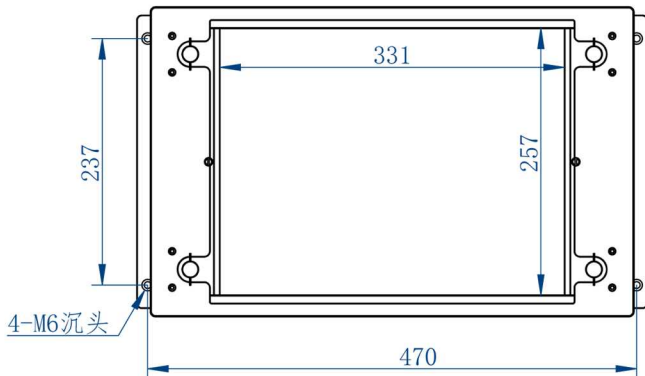
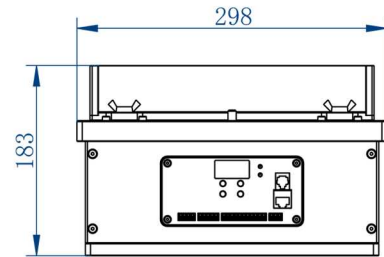
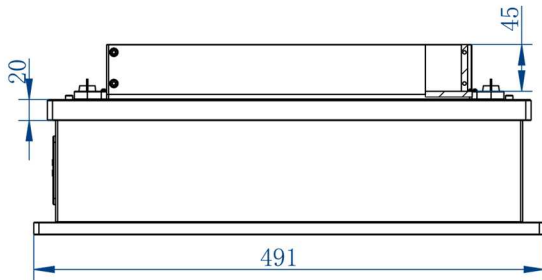
# iF-F300

Base Size	430*221*162mm
Tray Size	274*210*24mm
Tray load	1.5Kg
Applicable size	15~60mm
Move type	up, down, left, right, up-left, up-right, down-left, down-right, disperse, compact
Running Noise	<75dB
Backlight Color	White(standard), Other colors can be customized, and support infrared
Communication	Modbus TCP, Modbus RTU
Waveform	square wave (vibrate strongly) , sine wave (Soft and smooth vibration)
Adaptive Products	such as complex fasteners, large-volume parts, and joints.
Platform Option	material (POM) , We can customize to your material requirements
Power Supply	24V DC



# iF-F380

Base Size	491*282*183mm
Tray Size	331*257*45mm
Tray load	2Kg
Applicable size	15~80mm
Move type	up, down, left, right, up-left, up-right, down-left, down-right, disperse, compact
Running Noise	<75dB
Backlight Color	White(standard), Other colors can be customized, and support infrared
Communication	Modbus TCP, Modbus RTU
Waveform	square wave (vibrate strongly), sine wave (Soft and smooth vibration)
Adaptive Products	such as complex fasteners, large-volume parts, and joints.
Platform Option	material (POM), We can customize to your material requirements
Power Supply	24V DC



# iF-F530

Base Size	625*390*191mm
Tray Size	450*372*53mm
Tray load	2.5Kg
Applicable size	30~180mm
Move type	up, down, left, right, up-left, up-right, down-left, down-right, disperse, compact
Running Noise	<75dB
Backlight Color	White(standard), Other colors can be customized, and support infrared
Communication	Modbus TCP, Modbus RTU
Waveform	square wave (vibrate strongly) , sine wave (Soft and smooth vibration)
Adaptive Products	such as large complex housings, and bearings.
Platform Option	material (POM) , We can customize to your material requirements
Power Supply	24V DC

